

# RYOBI®



- A
- P
- S<sub>top</sub>
- N S<sub>top</sub>
- 2 Speed
- B.C.
- Torque
- 2VA
- R and L
- 1,000,000 cycles
- UL listed
- ADA
- EN1154 (Inc. EN1634 part.1)
- Sliding Arm
- Cover

## Overhead Door Closer **RYOBI D-2550**

# RYOBI

## THE RYOBI D-2550

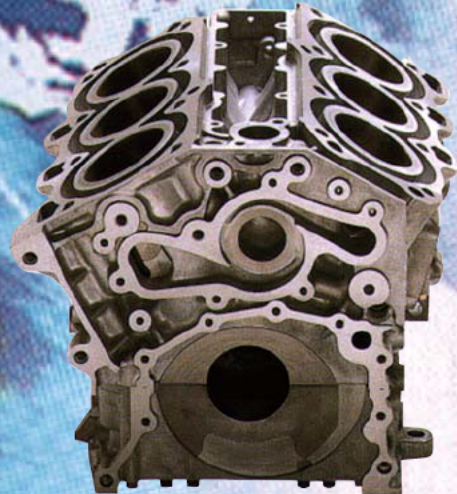
**Setting new standards in door closers.**

Only Ryobi could produce a door closer offering such excellent value, without compromising on quality, durability or feature benefits.

The new Ryobi D2550 series provides power adjustment for sizes 1 to 4, ensuring the widest scope for internal door applications.

Drawing on the company's world-class skills in precision Aluminium die-casting, the Ryobi D-2550 has been designed to deliver a lifetime of smooth, trouble free service.

Quality, Performance, Technology and a surprisingly competitive price, it can only be a RYOBI.



## THE TECHNOLOGY BEHIND RYOBI DOOR CLOSERS

When precision Aluminium die-casting is called for, Ryobi is in class of its own. As the world's largest manufacturer of Aluminium die-castings, Ryobi's vast wealth of experience and technical resources ensure that the company maintains its position, at the leading edge of die-casting technology.

As a major supplier to the automotive industry, Ryobi's advanced precision die-casting expertise can be found in the engine blocks and transmission cases of world-class motor manufacturers. The same exacting standards of workmanship and technology are maintained throughout the Ryobi door closer range. At Ryobi there is only one standard, the highest.



## **INDUSTRY STANDARDS**

The most important consideration for today's hardware specifier is that the products that, he or she select, meets the latest industry standards. With the Ryobi D-2550 it is reassuring to know that the product has been successfully type tested for conformity to all of the requirements of EN 1154. For fire door specifications, the D-2550 has been successfully type tested to EN 1634 part 1. Verification of test reports and / or certificates are available on request.

# Overhead Door Closer **RYOBI D-2550**

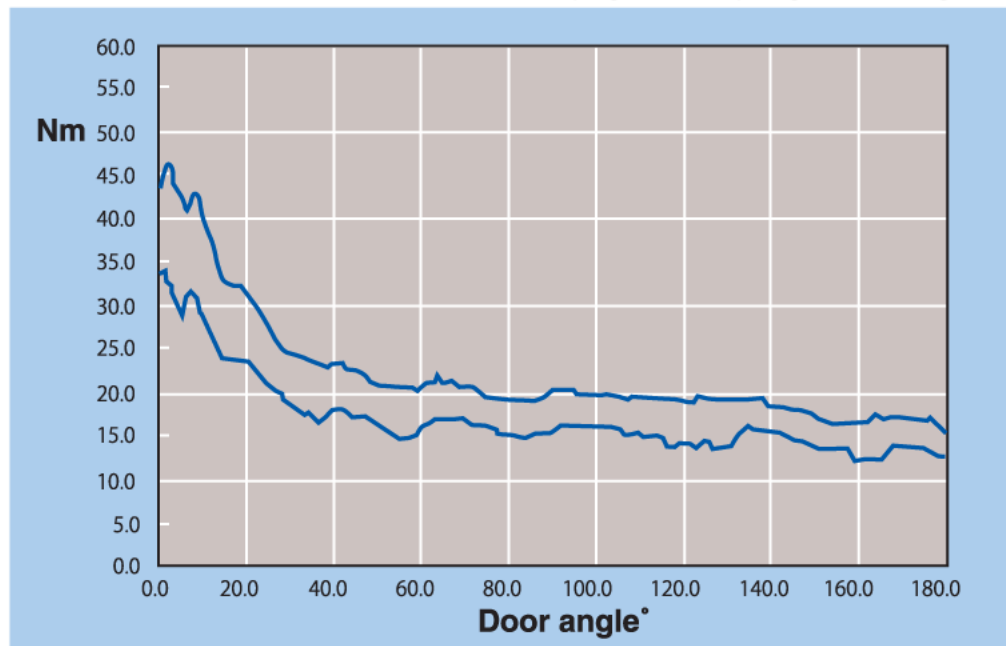
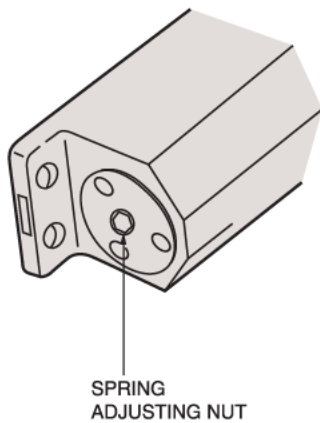
## APPLICATION

	STANDARD	PARALLEL	UNIVERSAL	TRACK-RAIL
Non Hold-Open	D-2550	D-2550P	D-2550 UNIV	D-2550T
Hold-Open	DS-2550	DS-2550P	—	DS-2550T
Spring Strength	1-4 Spring Variable			1-3 Spring Variable
	To EN1154	1-4 Spring Variable		—
Door Width/ Door Weight	External	$\leq 950\text{MM} / 80\text{KG}$		$\leq 900\text{MM} / 65\text{KG}$
	Internal	$\leq 1200\text{MM} / 80\text{KG}$		$\leq 1050\text{MM} / 65\text{KG}$
	To EN1154	$\leq 1100\text{MM} / 80\text{KG}$		—

## CLOSING POWER ADJUSTMENT

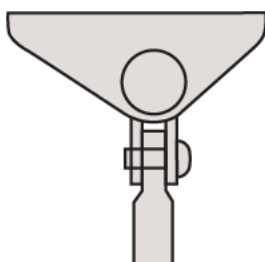
Spring Power adjustable according to door weight and width, 1 through 4. Refer to installation instructions.  
Factory preset size 3 standard installation.

※Maximum Spring Tension : Opening Force / Closing Force.



## LATCHING POWER ADJUSTMENT

By changing the position of the frame arm on the foot bracket closing force at the latch can be increased or decreased. This can be achieved with the foot bracket in position.

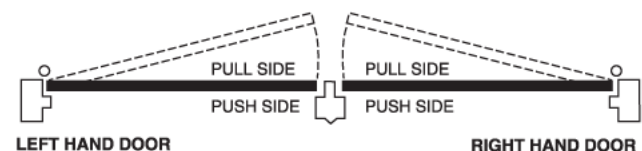


## LOW OPENING RESISTANCE/ HIGHER EFFICIENCY

A precise production for every components based on Ryobi's original quality control system realized higher efficiency of almost 70% at the average of all ranges and decreased opening resistance to the lowest for elderly and handicapped persons.

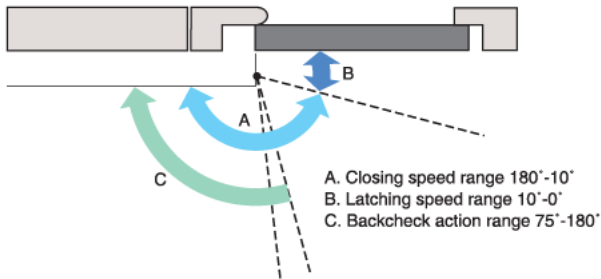
## NON-HANDED

D-2550 Series Door Closers can be used on both RH and LH doors for both push side and pull side mountings.

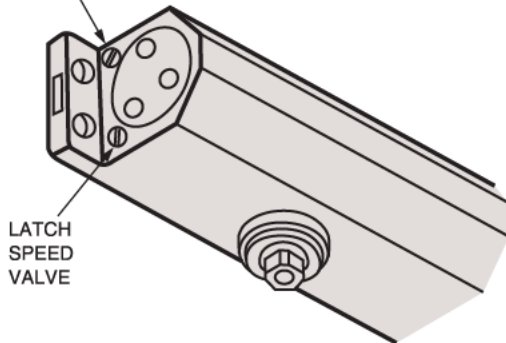


## ■ FULL HYDRAULIC CONTROL

Controls the door through the entire opening and closing cycles by providing adjustable backcheck upon opening and adjustable general and latch speed through the closing cycle.



GENERAL SPEED VALVE

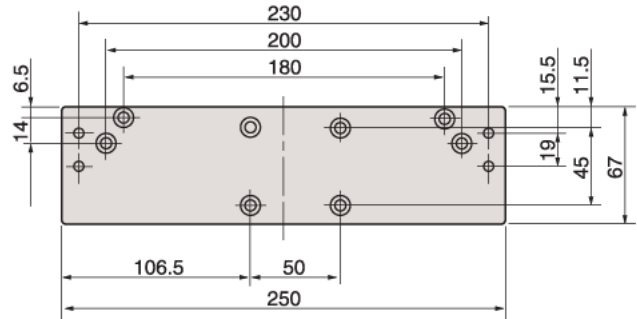


## ■ ADJUSTABLE BACKCHECK

A backcheck feature set and adjusted by an independent valve. When introduced the backcheck stalls the opening of the door around 70 degrees. When doors are violently opened by pedestrians or wind, the backcheck feature reduces the likelihood of damage should contact be made with an adjacent wall or obstacle. For busy doors in public building, schools and colleges this facility protects people and property.

## ■ VERSATILE APPLICATION

Optional backing plate allows D-2550 Series Door Closers to be installed at hole pattern of Ryobi D-2100V series and other similar type door closers.



## ■ FOR FIRE DOOR

D-2550 Series Door Closers have been successfully type-tested for conformity to all of the requirements of EN1154 (including EN1634 Part. 1)

## ■ ALL SEASON FLUID

All season fluid eliminates the need for seasonal adjustment.

## ■ PERIODIC MAINTENANCE

None required other than to check security of fixings on a regular basis.

## ■ OPTIONAL HOLD-OPEN

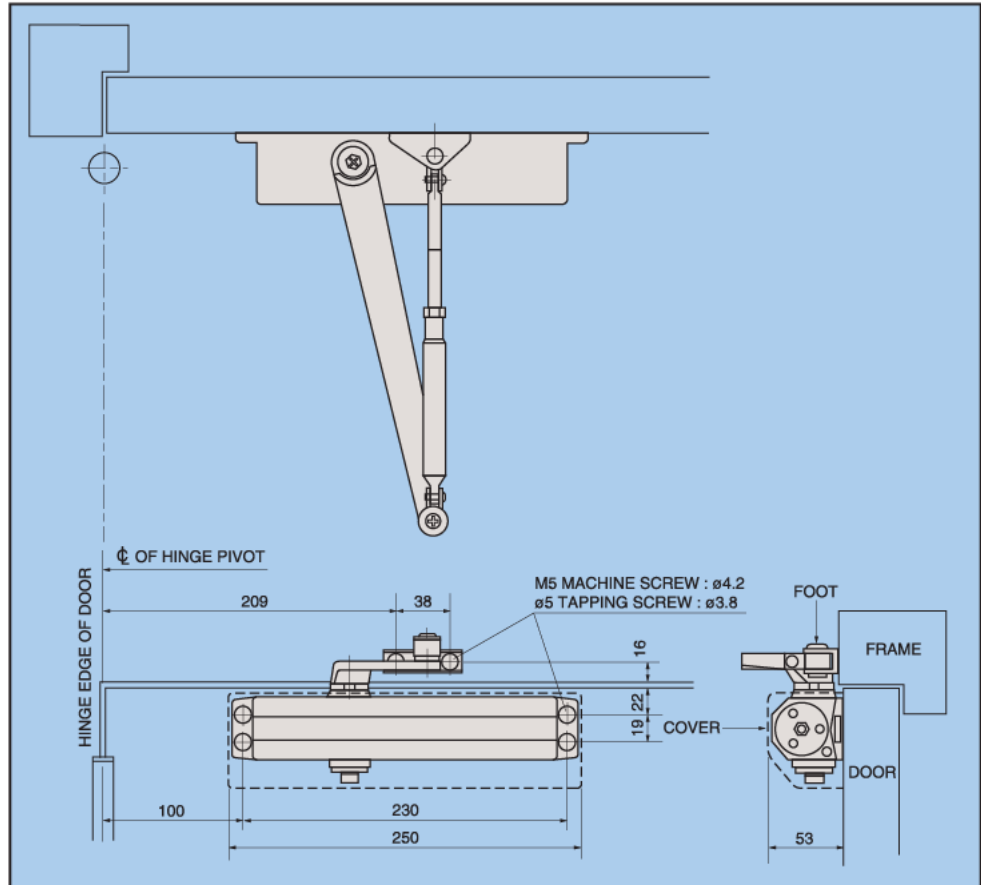
The non handed, optional hold open arm allows the door to be held open at any angles between 70 and 180 degrees. The serration type cam never allows a door to fall back. The cam and bearing type hold open mechanism ensures adequate hold open force by adjustable hold open force.

## ■ VARIOUS FINISHES

D-2550 Door Closers are available in SILVER, DARK-BRONZE, METALIC LEMON GOLD, BLACK, and WHITE finishes. Customs colors such as POLISHED GOLD and POLISHED SILVER may be available.

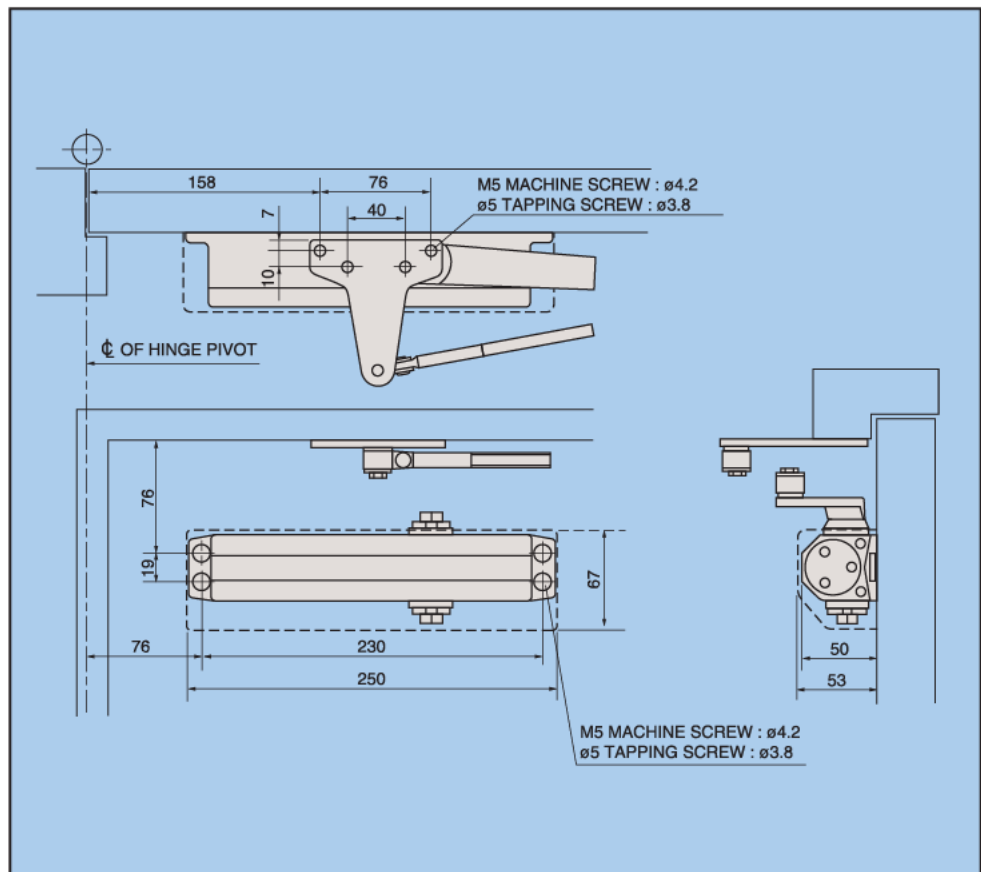
## STANDARD APPLICATION

CLOSER MOUNTED ON PULL SIDE OF DOOR



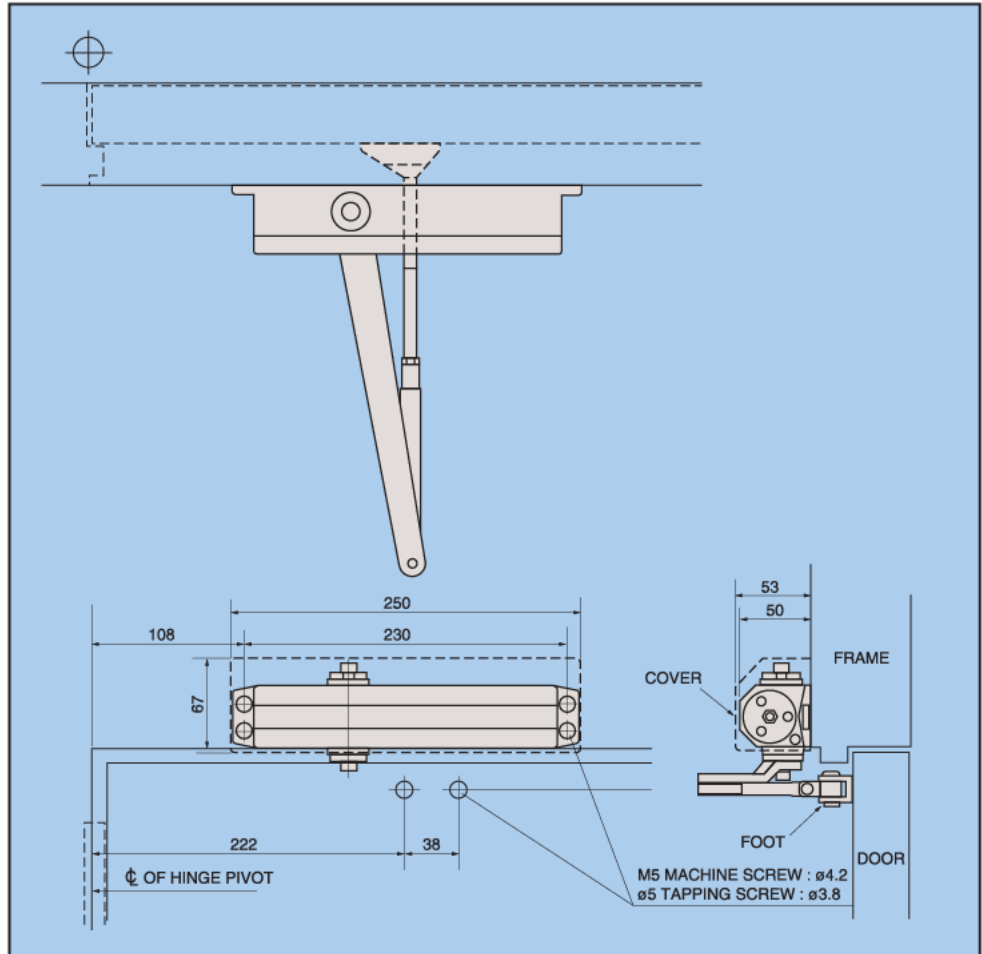
## PARALLEL ARM APPLICATION

CLOSER MOUNTED ON PUSH SIDE OF DOOR



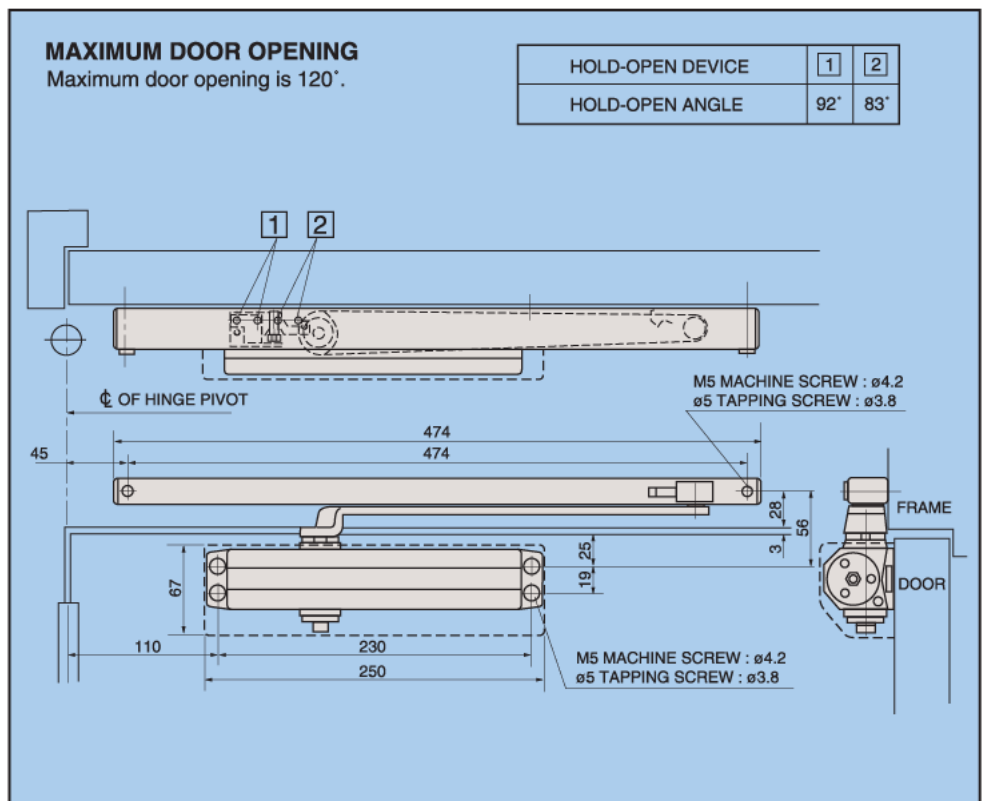
## TOP JAMB APPLICATION

■ CLOSER MOUNTED ON PUSH SIDE OF DOOR

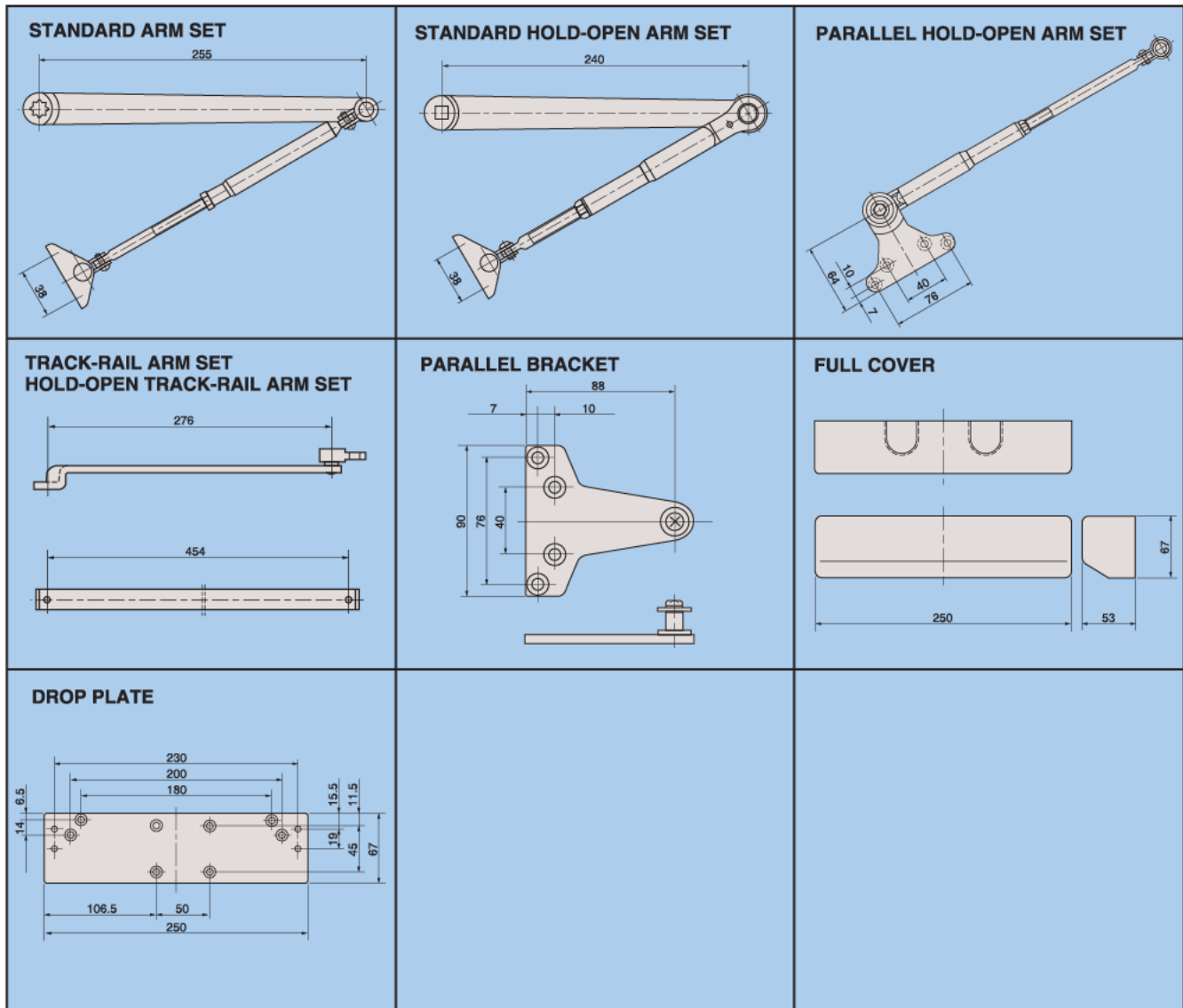


## TRACK-RAIL ARM APPLICATION

■ CLOSER MOUNTED ON PULL SIDE OF DOOR



## OPTIONAL ACCESSORIES



### RYOBI LIMITED

5-2-8 Toshima, Kita-ku Tokyo 114-8518, Japan  
 Tel. 81-3-3927-5536 Fax. 81-3-3927-5527  
 RYOBI is a registered trade mark of Ryobi Limited