

**RYOBI**

**HEAVY DUTY DOOR CLOSER**

**RYOBI**



**RYOBI**  
**D-4550 SERIES**  
**DOOR CLOSERS**

WHENEVER YOU LOOK FOR HIGH QUALITY CLOSERS  
CHOOSE RYOBI FOR ITS VALUE AND PERFORMANCE.

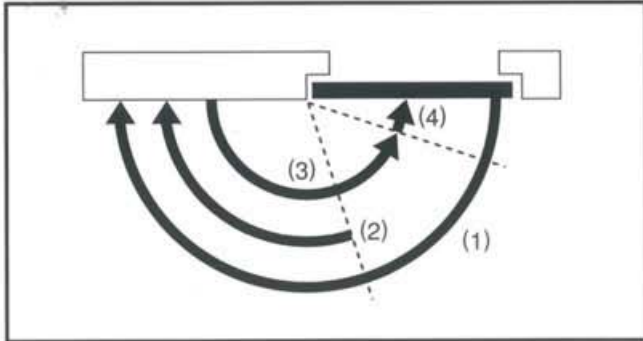
RYOBI EXCEEDS YOUR EXPECTATIONS  
FOR DOOR CLOSERS.

# GENERAL INFORMATION

## D-4550/D-4551 Features

### Full Hydraulic Checking

Controls the door through the entire opening and closing cycles by providing adjustable backcheck upon opening and adjustable general and latch speeds through the closing cycle.



- (1) opening swing, no checking
- (2) backcheck
- (3) general speed
- (4) latch speed

### Adjustable Spring Power

The D-4550 Series Door Closers are adjustable from size 1 through 6 with more than 50% adjustment over size 6. The D-4551 Series Door Closers are adjustable from size 1 through 4 more than 20% adjustment over size 4. The D-4551 Series Door Closers are designed to meet entrance accessibility requirements of 5LBF opening force or less.

### Non-Handed

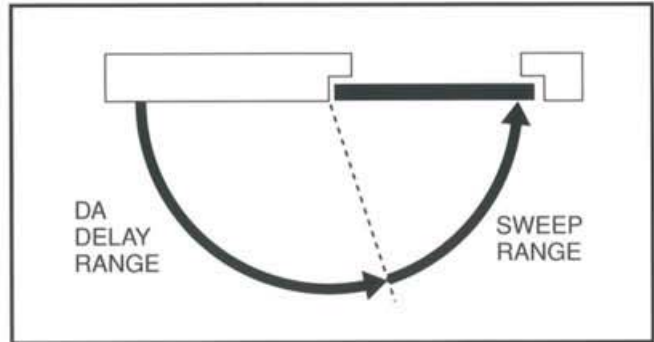
Can be used on both RH and LH doors for both push side and pull side mounting.

### Non-Critical Regulation

The separate adjustments for backcheck, general and latch speeds are equipped with non-critical "V-Slot" regulating valves which allow for fine tuning the closing and latching speeds as well as the backcheck intensity.

### Delayed Action(Optional)

The D-4550DA / D-4551DA Series Door Closers are equipped with a separate hydraulic valve adjustment to delay the closing speed from 180 to 70 degrees of door opening range.



### All Season Fluid

All season fluid eliminates the need for seasonal adjustment.

### Special High Silicon Aluminum Alloy Housing

All D-4550/D-4551 Series Door Closers are constructed of RYOBI'S R14 HIGH SILICON ALUMINUM ALLOY to exceed the ANSI/BHMA A 156.4 Grade 1 requirements.

### Forged Arms

Heavy duty forged arms are interchangeable between the D-4550 and D-3550 Series Door Closers.

### High Impact Cover

All Ryobi D-4550/D-4551 Series Door Closers are shipped with a high impact self-extinguishing decorative cover.

### Maintenance Free

Ryobi Door Closers mounted in accordance with Ryobi installation instructions are maintenance free from periodic inspection and adjustment.

# HOW TO ORDER

## CLOSERS

Add suffix:  
"DA" Delayed Action (optional)

Size: 0-size 1-6 with 50% adjustment  
1-size 1-4

Model No.

### ARM TYPE (add suffix)

- "L"-Long Rod Forearm (TJ only)
- "H"-Standard Hold Open
- "PH"-Parallel Hold Open
- "EDA"-Extra Duty Arm
- "H-EDA"-Hold Open Extra Duty Arm
- "CS"-Extra Duty Arm with Stop
- "C"-Extra Duty Arm with Compression Stop
- "HS"-Extra Duty Arm with Hold Open and Stop
- "HCS"-Extra Duty Arm with Hold Open and Compression Stop
- "T"-Track Mount
- "HT"-Track Mount with Hold Open

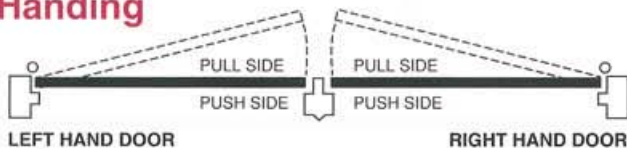
# D-4550DAH x AL x SN

## ACCESSORIES

Example: **P45-180 DROP PLATE**

- Fastener: "SN" Sex Nuts & Bolts  
"WMS" Wood and Machine Screws
- Finish: AL: Aluminum  
DKBRZ: Dark Bronze  
BRZ: Bronze  
BRS: Brass  
STAT: Statuary Bronze  
BLK: Black

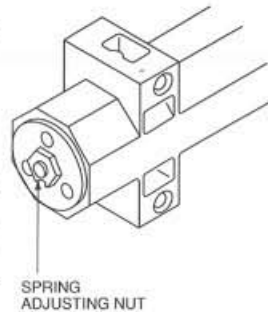
### Handing



### Closing Power Adjustment

The D-4550 Series Door Closer can provide adjustable closing force of 50% over a size 6. The D-4550 Series is adjusted to size 3 before leaving the factory.

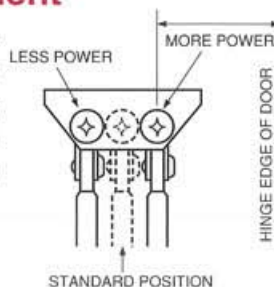
The D-4551 Series Door Closer is specially designed for doors where required opening forces are required through 90°. The D-4551 Door Closer is adjustable up to a size 4. The D-4551 Series is adjusted to size 2 before leaving the factory.



SPRING ADJUSTING NUT

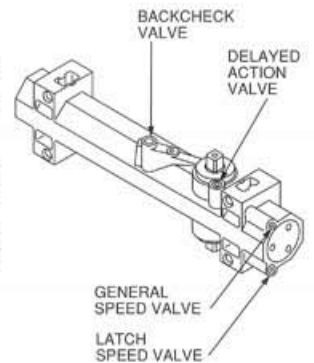
### Latching Power Adjustment

The D-4550/D-4551 Series Door Closers have the provision to adjust the leverage of the arms by changing the pivot position of the arm in the foot. The foot itself does not have to be removed from the door or jamb.



### Delayed Action

A delayed action feature is available with this series for all applications and arms. The feature permits the door to close very slowly through the delayed action cycle range. To order, suffix DA to closer number.



### Packing

All D-4550/D-4551 Series Door Closers with standard arm sets are packed for mounting on standard, parallel arm or top jamb applications. All closer assemblies are packaged 6 per carton. Tracks for track mounted closers are packaged separately.

### Thru Bolts and Hex Nuts

When thru bolting is ordered, factory will furnish hex nuts for use with the machine screws furnished with the closer. Nuts are sized to accommodate 1-3/8" or 1-3/4" thick doors.

### ANSI and U.L. Specifications

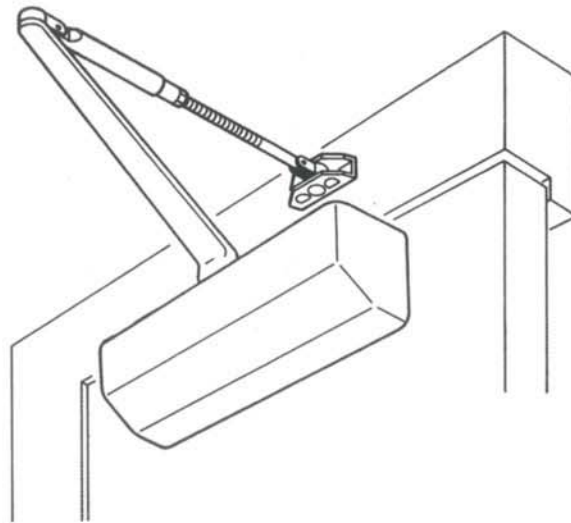
The D-4550/D-4551 Series Door Closers far exceed the requirements of the ANSI/BHMA Standard A156.4-1991 Grade 1.

Underwriters' Laboratories and Canada Underwriters' Laboratories Listing.

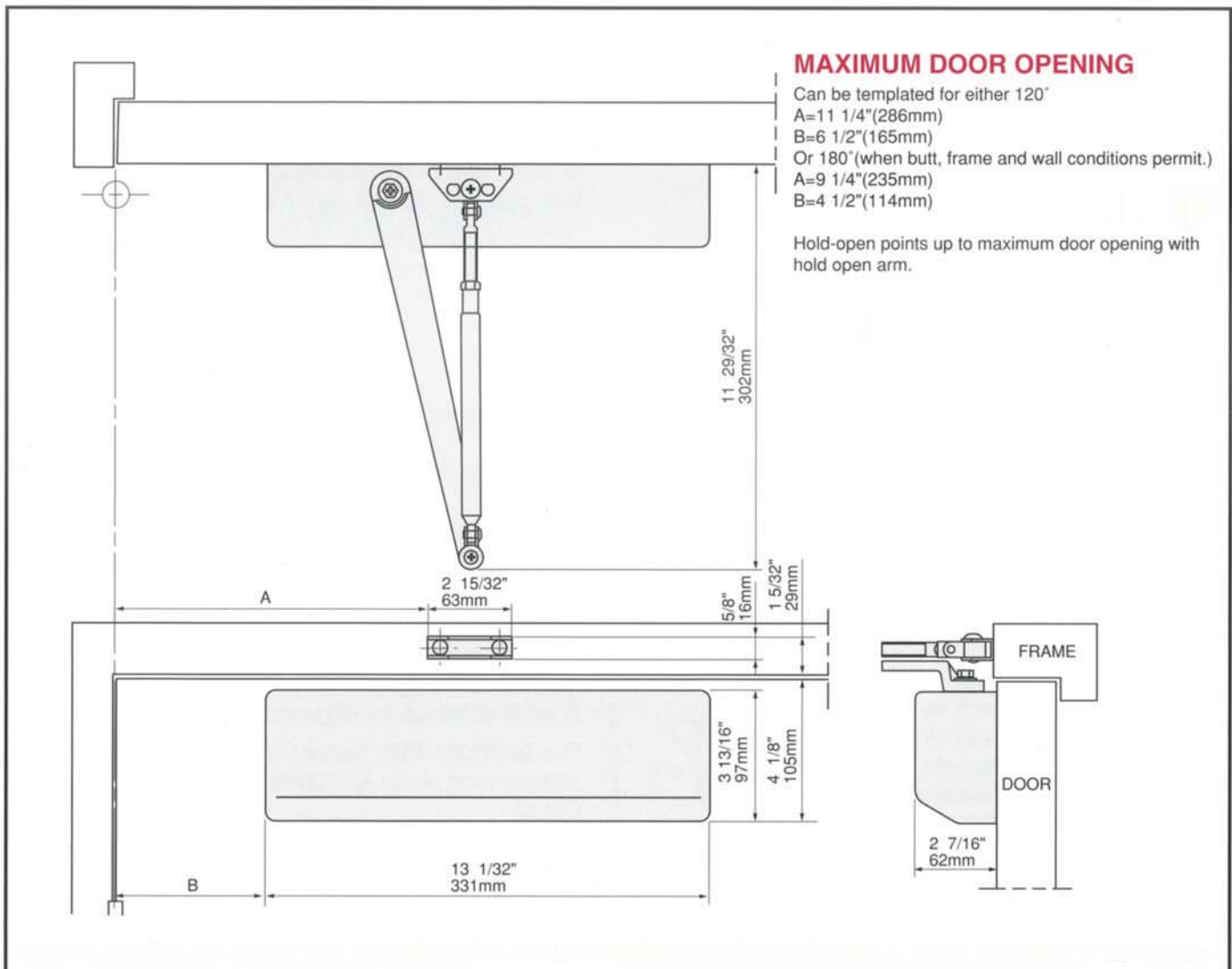
"For Self-Closing Door Without Hold-Open Feature" on R7526(R).

# D-4550/D-4551 SERIES DOOR CLOSERS

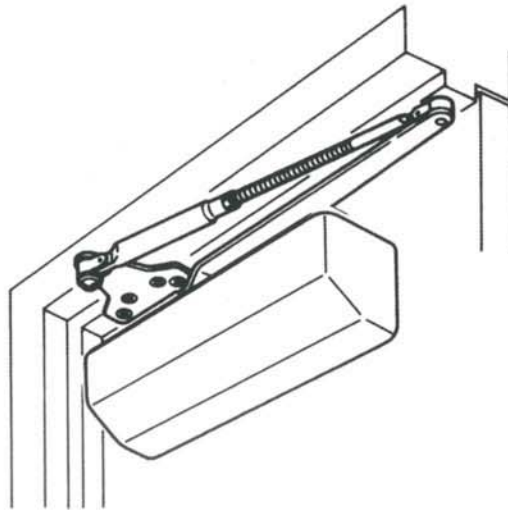
## STANDARD APPLICATION



CLOSER MOUNTED ON PULL SIDE OF DOOR



## PARALLEL ARM APPLICATION

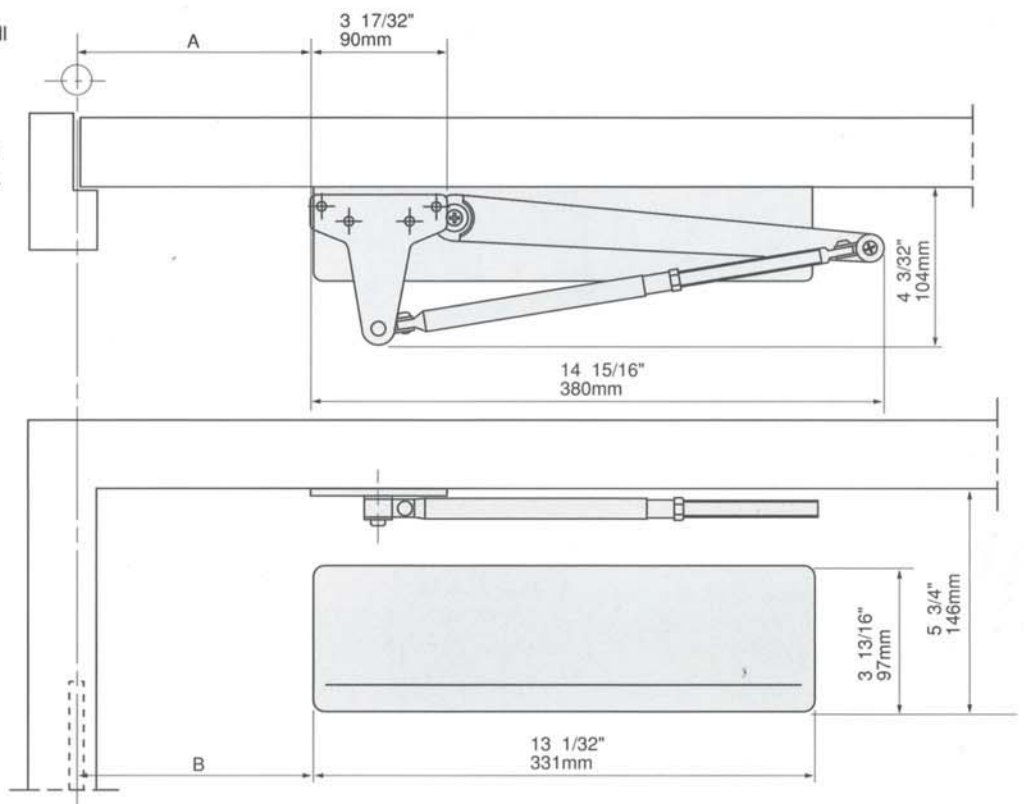
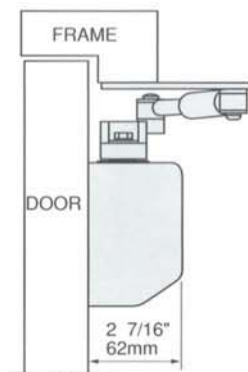


### CLOSER MOUNTED ON PUSH SIDE OF DOOR

#### MAXIMUM DOOR OPENING

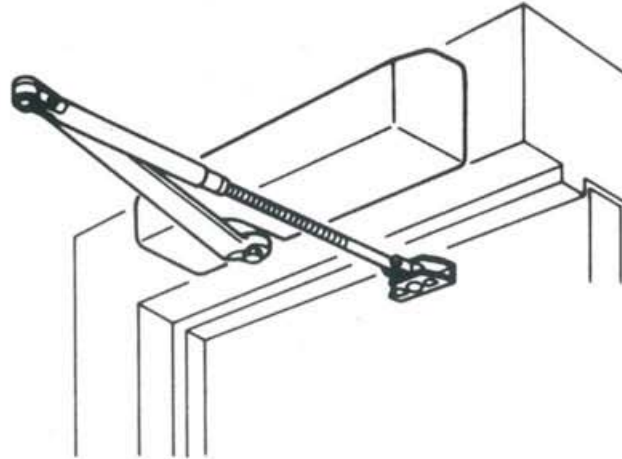
Can be templated for either 120°  
 A=8 23/32"(222mm)  
 B=8 27/32"(224mm)  
 Or 180°(when butt, frame and wall  
 conditions permit.)  
 A=6 3/32"(155mm)  
 B=6 7/32"(158mm)

Hold-open points up to maximum  
 door opening with hold open arm.

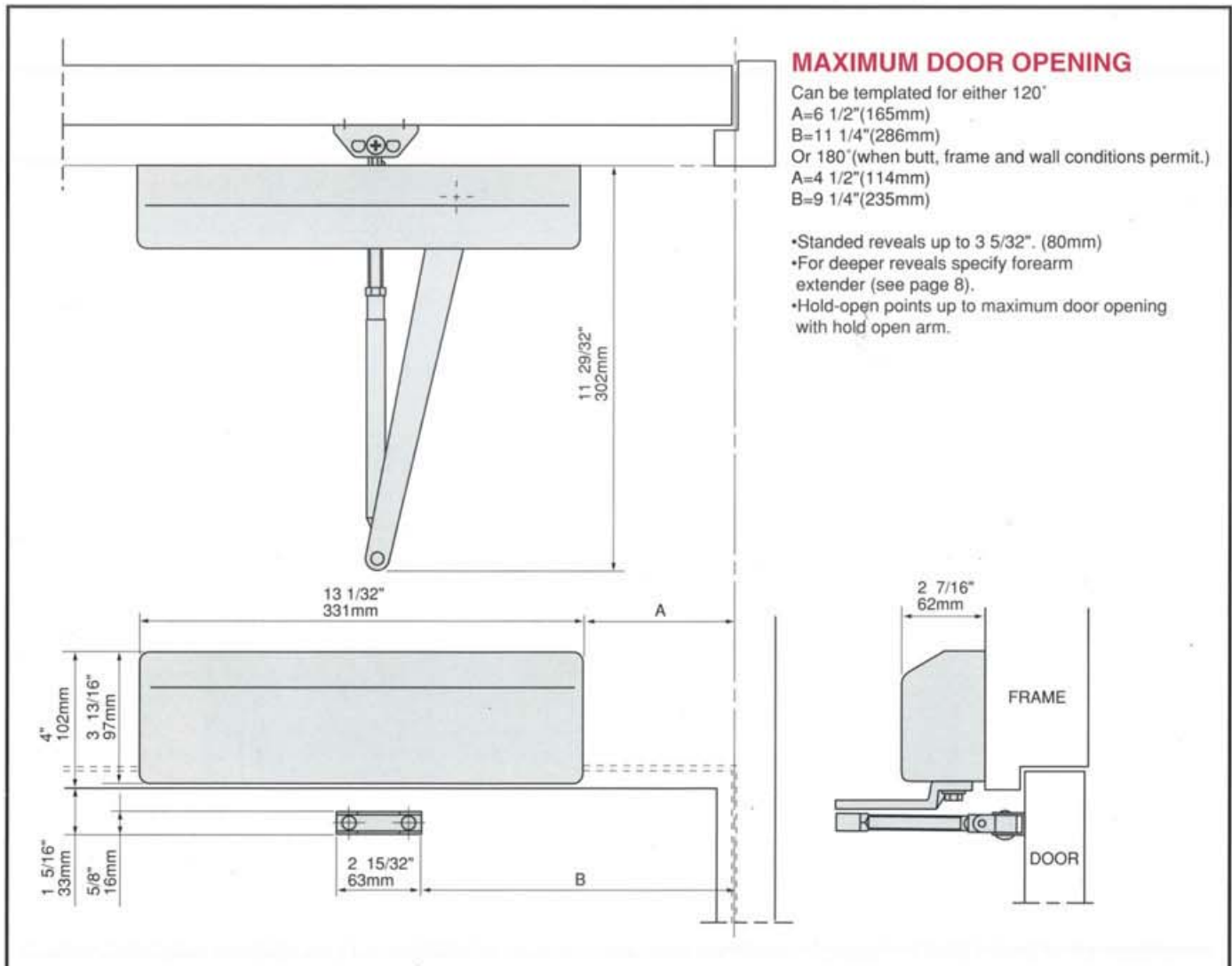


# D-4550/D-4551 SERIES DOOR CLOSERS

## TOP JAMB APPLICATION

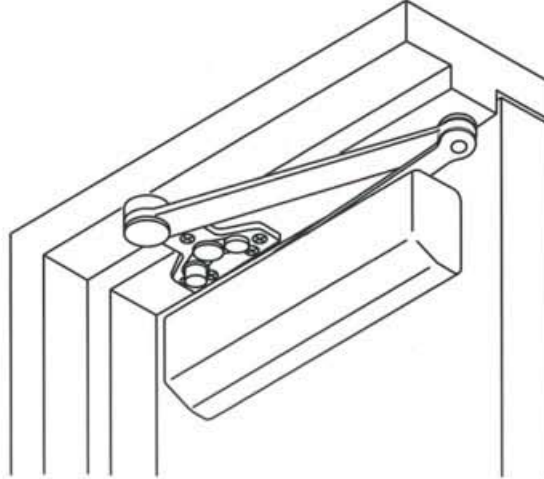


### CLOSER MOUNTED ON PUSH SIDE OF DOOR



## HEAVY DUTY ARM APPLICATION

EDA, H-EDA, S, CS, HS and HCS

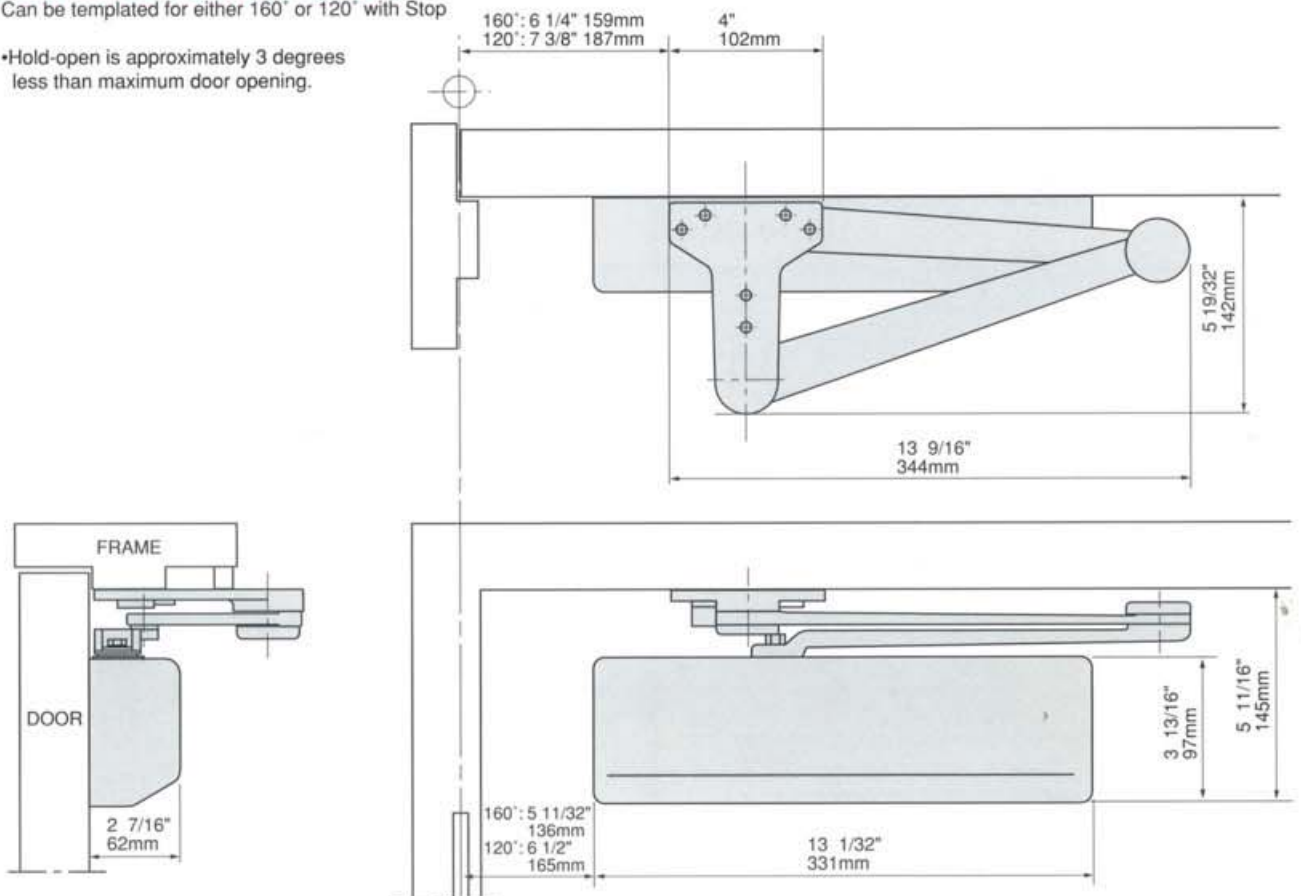


CLOSER MOUNTED ON PUSH SIDE OF DOOR

### MAXIMUM DOOR OPENING

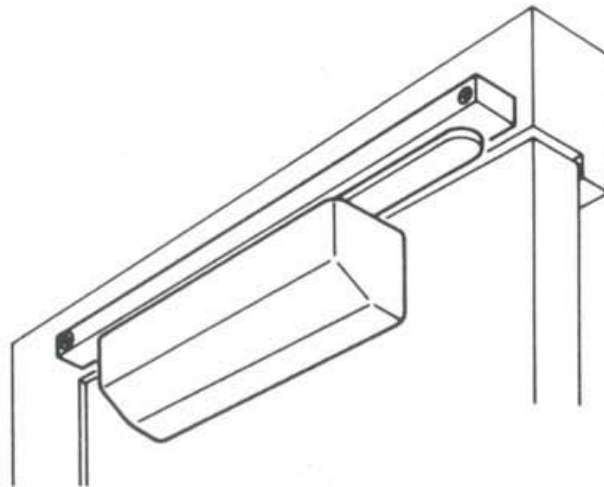
Can be templated for either 160° or 120° with Stop

• Hold-open is approximately 3 degrees less than maximum door opening.



# D-4550/D-4551 SERIES DOOR CLOSERS

## TRACK RAIL ARM APPLICATION

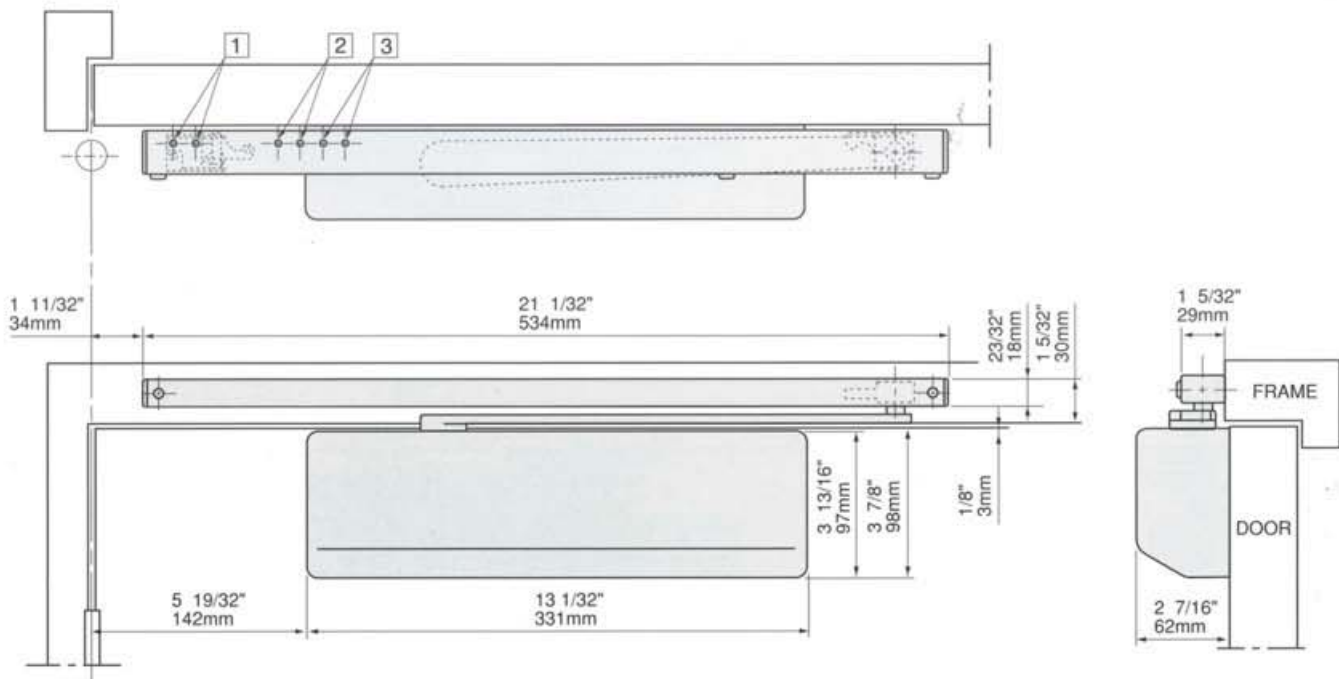


### CLOSER MOUNTED ON PULL SIDE OF DOOR

#### MAXIMUM DOOR OPENING

Maximum door opening is 120°

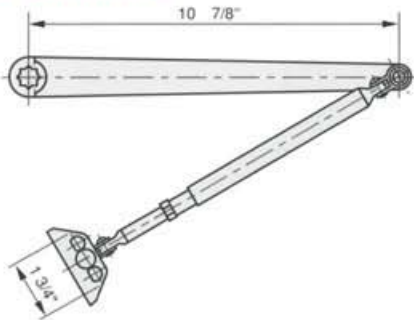
HOLD OPEN DEVICE	1	2	3
HOLD OPEN ANGLE	106°	86°	80°



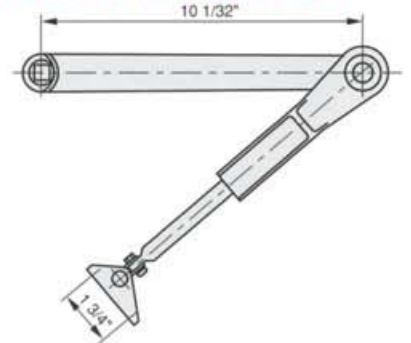


# OPTIONAL ACCESSORIES

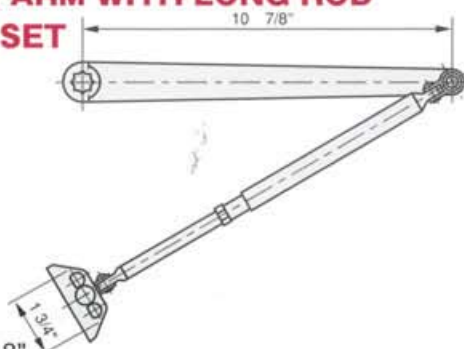
## STANDARD ARM SET A45-501



## STANDARD HOLD-OPEN ARM SET A45-501H



## STANDARD ARM WITH LONG ROD AND SHOE SET A45-501L



- For reveals from 2 1/2" to 8"

## STANDARD HOLD-OPEN ARM WITH LONG ROD AND SHOE SET A45-501HL

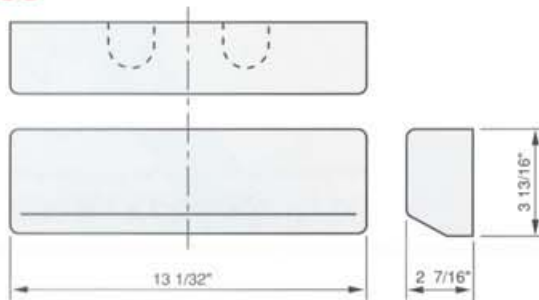


- For reveals from 3 3/16" to 3 13/16"

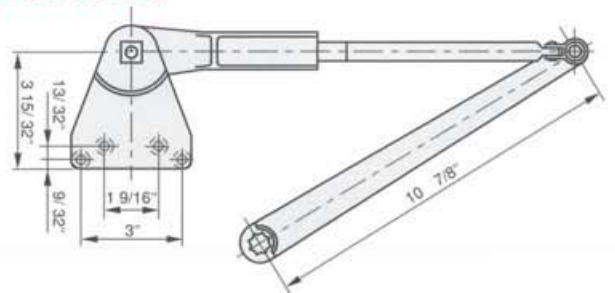
## A45-501HXL

- For reveals from 6 1/2" to 8"

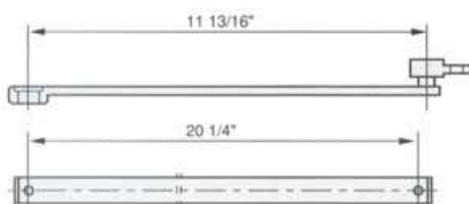
## FULL COVER C-455



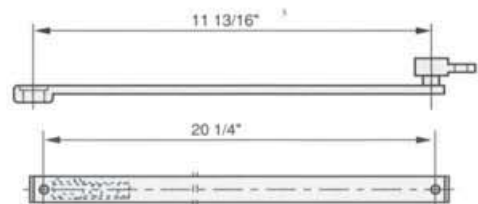
## PARALLEL HOLD-OPEN ARM SET A45-503H



## TRACK RAIL ARM SET A45-507T

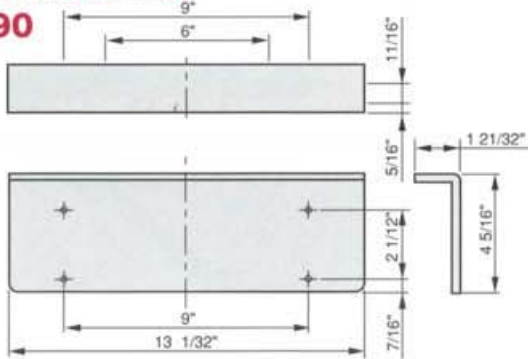


## TRACK RAIL HOLD-OPEN ARM SET A45-507HT

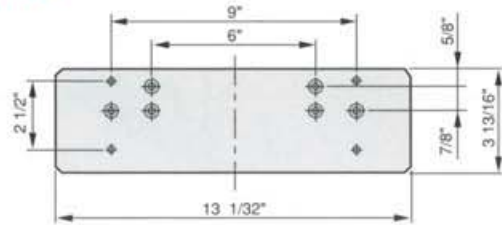


# OPTIONAL ACCESSORIES

## ANGLE BRACKET P45-190

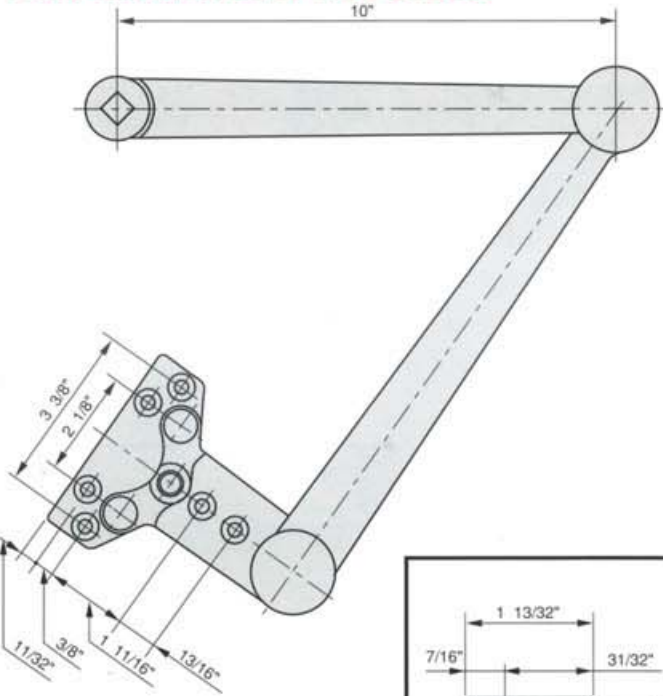


## DROP PLATE P45-180

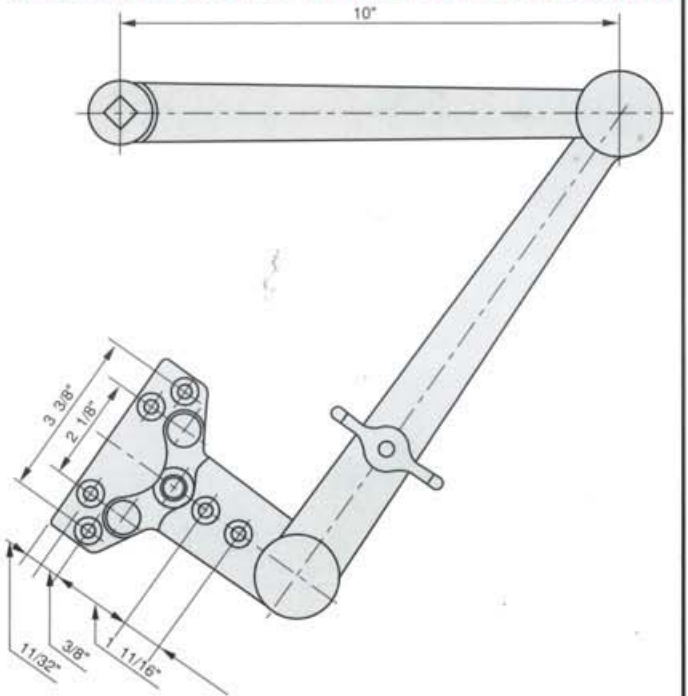


- 3 5/8" minimum top rail for Parallel Arm applications.
- 3 5/8" minimum top rail for Heavy Duty Parallel Arm applications.

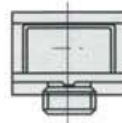
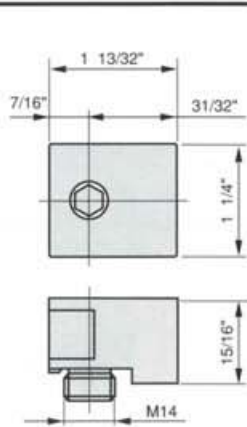
## HEAVY DUTY PARALLEL ARM SET A45-505 HEAVY DUTY PARALLEL ARM SET WITH STOP A45-505S HEAVY DUTY PARALLEL ARM SET WITH COMPRESSION STOP A45-505CS



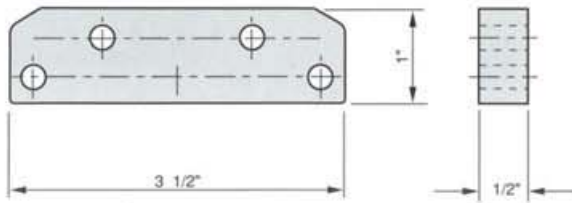
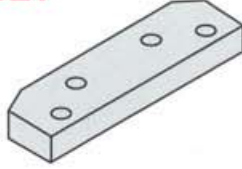
## HEAVY DUTY PARALLEL ARM SET WITH HOLD OPEN A45-505H HEAVY DUTY PARALLEL ARM SET WITH STOP & HOLD OPEN A45-505HS HEAVY DUTY PARALLEL ARM SET WITH COMPRESSION STOP & HOLD OPEN A45-505HCS



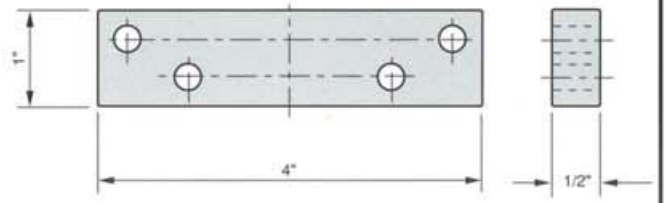
## COMPRESSION STOP



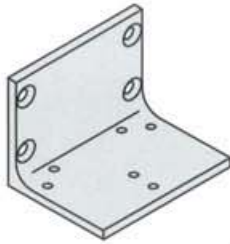
**SPACER BLOCK FOR MOUNTING  
PA BRACKET ON RABBET  
P45-110**



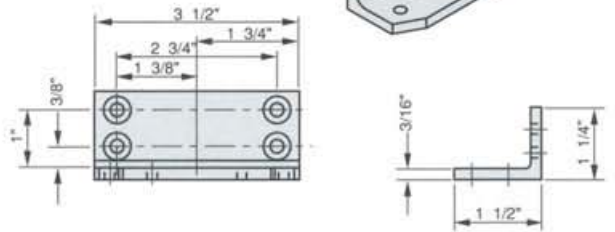
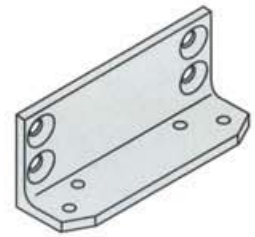
**SPACER BLOCK FOR MOUNTING  
HD ARMS ON RABBET  
P45HD-110**



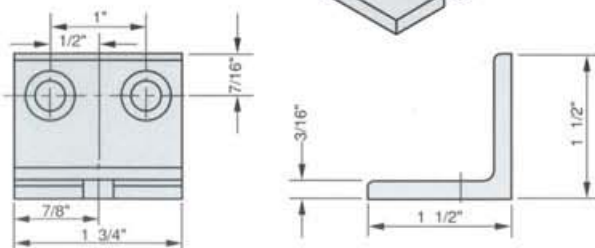
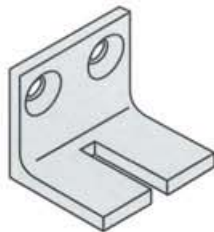
**ANGLE BRACKET FOR MOUNTING  
HD ARMS ON FLUSH TRANSOM  
P45HD-114**



**ANGLE BRACKET FOR MOUNTING  
PA BRACKET ON FLUSH TRANSOM  
P45-114**



**ANGLE BRACKET FOR SHOE  
SUPPORT ON HD ARMS P45HD-112**





**RYOBI  
D-4550/D-4551 SERIES  
DOOR CLOSERS**

**MANUFACTURED BY  
RYOBI LIMITED**

5-2-8, Toshima, Kita-ku,  
Tokyo, Japan  
Tel: 81-3-3927-5536  
Fax: 81-3-3927-5527

**DISTRIBUTED IN THE UK BY  
International Door Controls Ltd**

Unit 23, Timmis Road  
Lye, Stourbridge  
West Midlands DY9 7BQ  
Tel: 01384 893333  
Fax: 01384 894837  
email: [info@int-door-controls.com](mailto:info@int-door-controls.com)